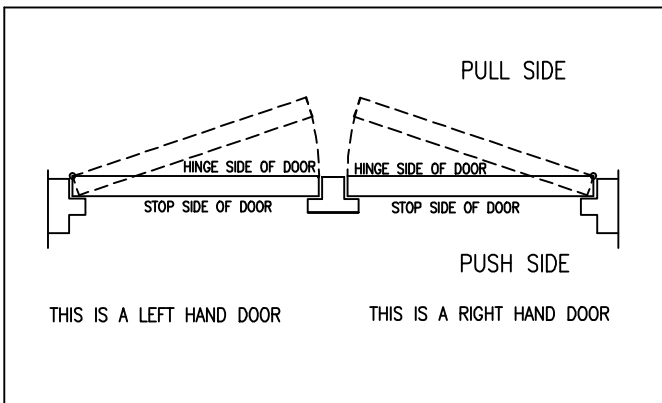


INSTALLATION INSTRUCTIONS

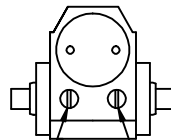
■ CHART TO DETERMINE HAND OF DOOR



■ FINAL ADJUSTMENT AND REGULATING PROCEDURES

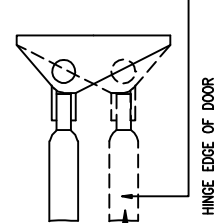
REGULATING DOOR SPEED AND LATCHING SPEED

TURN SPEED REGULATING VALVE CLOCKWISE TO SLOW DOWN -OR COUNTER CLOCKWISE TO SPEED UP DOOR MOVEMENT

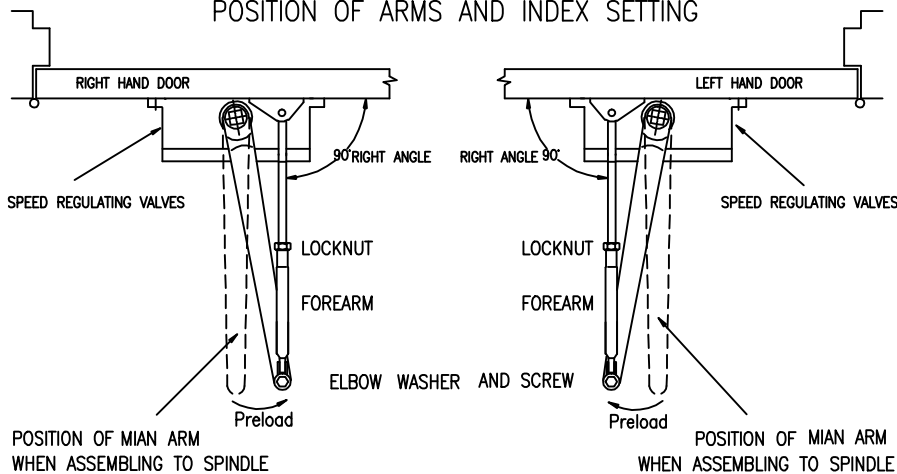


ADJUSTING FOOT FOR CLOSING POWER

TURN OVER FOOT ILLUSTRATED BELOW TO LESS POWER

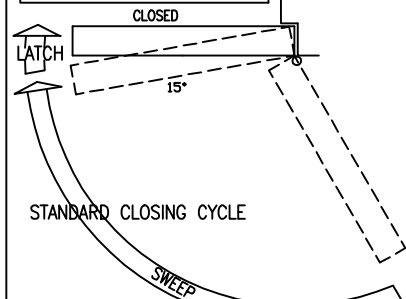


STANDARD INSTALLATION POSITION OF ARMS AND INDEX SETTING



CLOSING SPEED CONTROL

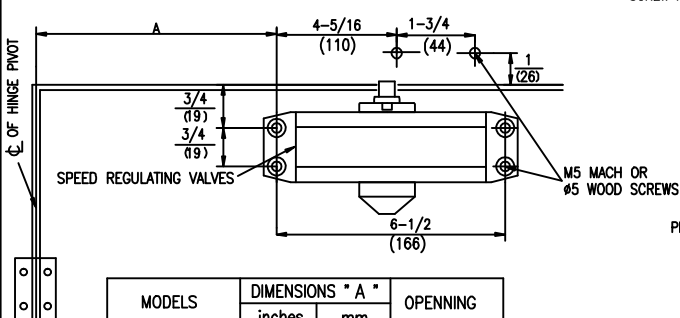
CAUTION
DO NOT BACK VALVES OUT OF CLOSER OR A LEAK WILL RESULT



ATTENTION:
ADJUST CLOSING SPEED TIME TO BETWEEN 4 TO 6 SECOND FROM 90°. USE OF THE DOOR BY HANDICAPPED, ELDERLY OR SMALL CHILDREN MAY REQUIRE LONGER CLOSING TIME.

■ STANDARD INSTALLATION : PULL SIDE MOUNT

- RIGHT HAND DOOR ILLUSTRATED SAME DIMENSIONS APPLY TO LEFT HAND DOOR
- MEASURED FROM HINGE CENTER DIMENSIONS ARE IN $\frac{\text{inches}}{\text{mm}}$
- DO NOT SCALE DRAWING



MODELS	DIMENSIONS "A"		OPENNING
	inches	mm	
D500	3-1/4	82	T0180°

INSTALLATION INSTRUCTIONS

1. SELECT DEGREE OF DOOR. USE DIMENSIONS SHOWN IN CHART AND ILLUSTRATION ABOVE TO MARK LOCATION OF ATTACHING SCREWS ON DOOR AND FRAME PREPARE HOLES
2. ASSEMBLE MAIN ARM TO CLOSER.
3. ATTACH CLOSER TO DOOR WITH SPEED REGULATING VALVES TOWARD HINGE.
4. ATTACH THE FOOT OF THE FOREARM TO FRAME.
5. ADJUST LENGTH OF FOREARM TO POSITION FOREARM AT RIGHT ANGLE TO FRAME WHEN CONNECTED TO MAIN ARM AT ELBOW USE WASHER AND SCREW PROVIDED TO SECURE PIVOT CONNECTION. TIGHTEN LOCKNUT ON FOREARM.
6. SNAP PINION CAP OVER SPINDLE AT BOTTOM OF CLOSER
7. ADJUST DOOR CLOSER

D500 DOOR CLOSER

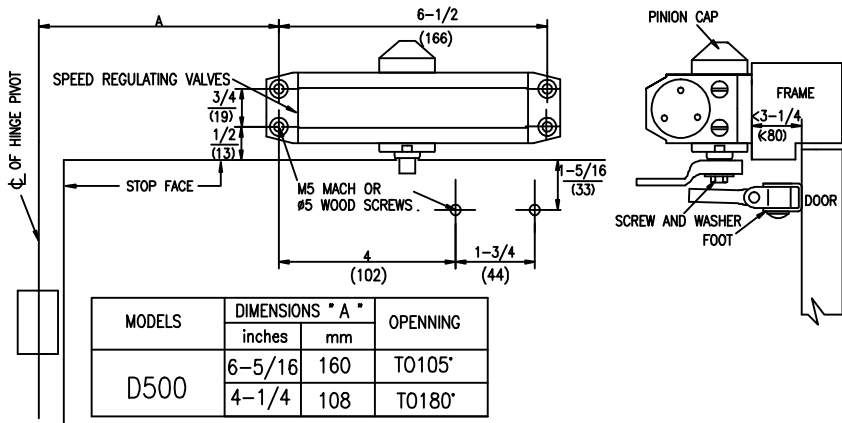
INSTALLATION INSTRUCTIONS

■ TOP JAMB INSTALLATION: PUSH SIDE MOUNT

- LEFT HAND DOOR ILLUSTRATED SAME DIMENSIONS APPLY TO RIGHT HAND DOOR
- DIMENSIONS ARE IN $\frac{\text{inches}}{(\text{mm})}$ MEASURED FROM HINGE ϕ
- DO NOT SCALE DRAWING

INSTALLATION INSTRUCTIONS

1. SELECT DEGREE OF DOOR. USE DIMENSIONS SHOWN IN CHART AND ILLUSTRATION ABOVE TO MARK LOCATION OF ATTACHING SCREWS ON DOOR AND FRAME PREPARE HOLES
2. ASSEMBLE MAIN ARM TO CLOSER.
3. ATTACH CLOSER TO FRAME WITH SPEED REGULATING VALVES TOWARD HINGE.
4. ATTACH THE FOOT OF THE FOREARM TO DOOR.
5. ADJUST LENGTH OF FOREARM TO POSITION FOREARM AT RIGHT ANGLE TO FRAME WHEN CONNECTED TO MAIN ARM AT ELBOW USE WASHER AND SCREW PROVIDED TO SECURE PIVOT CONNECTION. TIGHTEN LOCKNUT ON FOREARM.
6. SNAP PINION CAP OVER SPINDLE AT BOTTOM OF CLOSER
7. ADJUST DOOR CLOSER

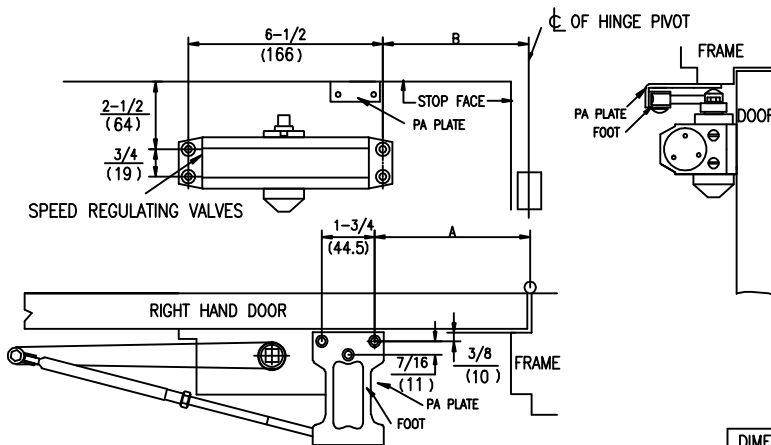


■ PALALLEL ARM INSTALLATION : PUSH SIDE MOUNT

- RIGHT HAND DOOR ILLUSTRATED SAME DIMENSIONS APPLY TO LEFT HAND DOOR
- MEASURED FROM HINGE ϕ DIMENSIONS ARE IN $\frac{\text{inches}}{(\text{mm})}$
- DO NOT SCALE DRAWING

INSTALLATION INSTRUCTIONS

1. SELECT DEGREE OF DOOR. USE DIMENSIONS SHOWN IN CHART AND ILLUSTRATION ABOVE TO MARK LOCATION OF ATTACHING SCREWS ON DOOR AND FRAME PREPARE HOLES
2. ATTACH CLOSER TO DOOR WITH SPEED REGULATING VALVES BACK TO HINGE.
3. ATTACH MAIN ARM AS FOLLOW:
PLACE MAIN ARM ON TOP SHAFT, INSERT ARM SCREW INTO TOP OF SHAFT AND TIGHTEN.
4. ATTACH PA PLATE TO TOP FRAME AS SHOWN.
5. ATTACH FOOT OF FOREARM TO PA PLATE.
6. ADJUST LENGTH OF FOREARM TO POSITION FOREARM AT PALALLEL TO FRAME, THEN CONNECTED TO MAIN ARM AT ELBOW PIN OF THE MAIN ARM.
7. SNAP PINION CAP OVER SPINDLE AT BOTTOM.
8. ADJUST DOOR CLOSER.



DIMENSIONS "A"		DIMENSIONS "B"		OPENNING
inches	mm	inches	mm	
8-3/16	208	6-5/8	168	TO 110°
6-1/8	156	4-9/16	116	OVER 110°

APPLICABLE DOOR: WEIGHT 40-65 Kg